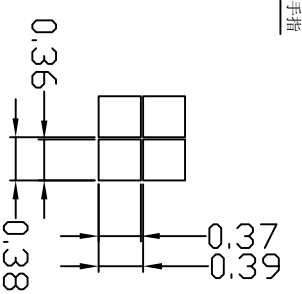
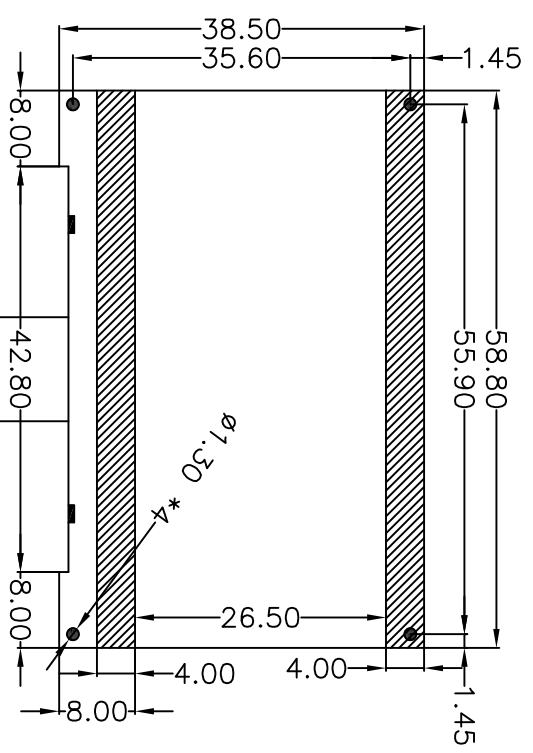
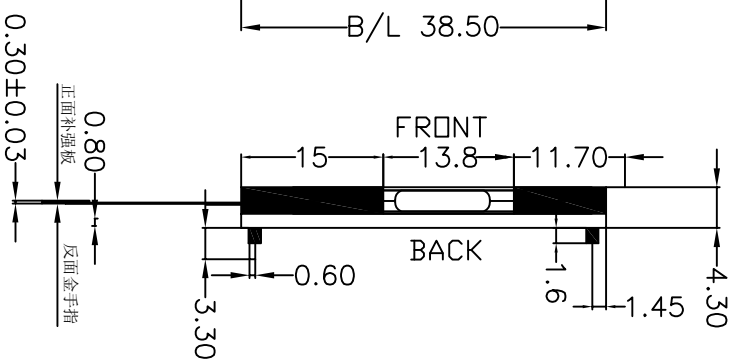
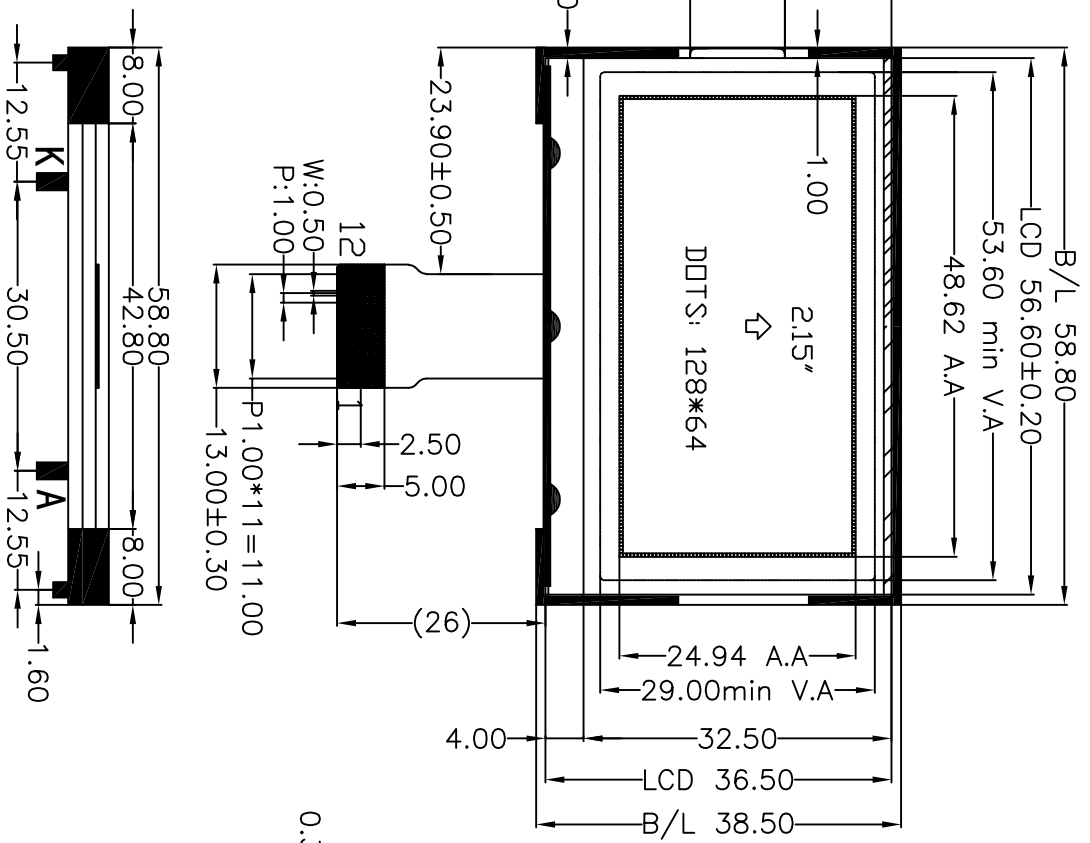


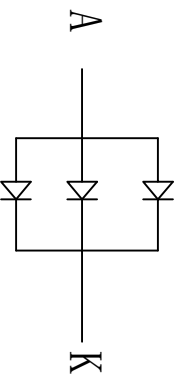
1	Led Type	FSTN, POSITIVE
2	Viewing Direction	6 O'clock
3	Drive Method	1/6SD, 1/9B
4	Polarizer Mode	Transflective
5	VDD/VOP	3.0V/7.95V
6	Operating Temperature	-20°C ~ 70°C
7	Storage Temperature	-30°C ~ 80°C
8	IC	*
9	Backlight	White LED, VF=3.0V (IF=4.5mA)



1	CS
2	RST
3	A0
4	SCL
5	SDA
6	VDD
7	VSS
8	V0
9	XV0
10	VG
11	VSS
12	NC

电路图 CIRCUIT DIAGRAM

(LED SMD 1 X 3 = 3 dies)



The non-specified tolerance of dimension is ±0.3mm.

SCALE:	1/1	UNIT:	mm
REV:	V1	PAGE:	1/1
APPROVE	JHS	MODEL	HO12864M-WFH-00
CHECK		TITLE	LCM DRAWING
DRAW		DWG. NO.	

HZY DISPLAY CO,